



LOEGERING

OWNER'S MANUAL

MUD BUCKET

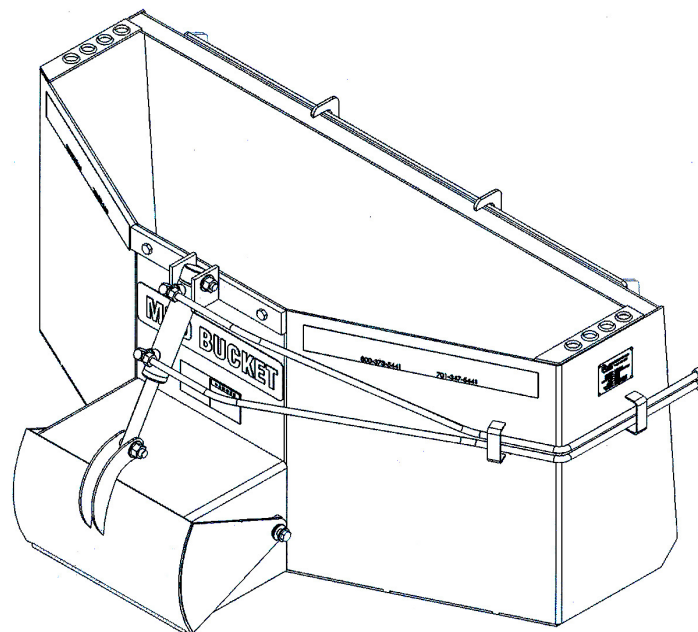
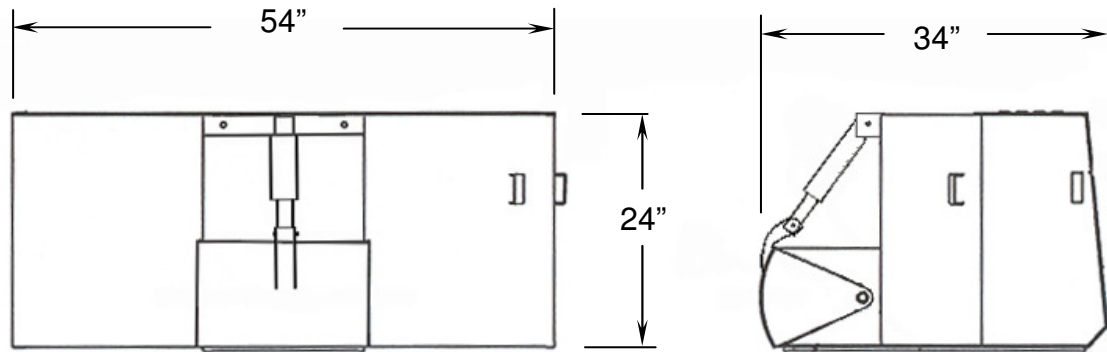
Rev. 017- 06

LOEGERING
15514 37th Street SE
Casselton, ND 58012 USA
E-Mail: imi@loeering.com

800-373-5441
701-347-5441
Fax: 701-347-4323
Internet: www.loeering.com

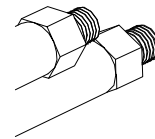
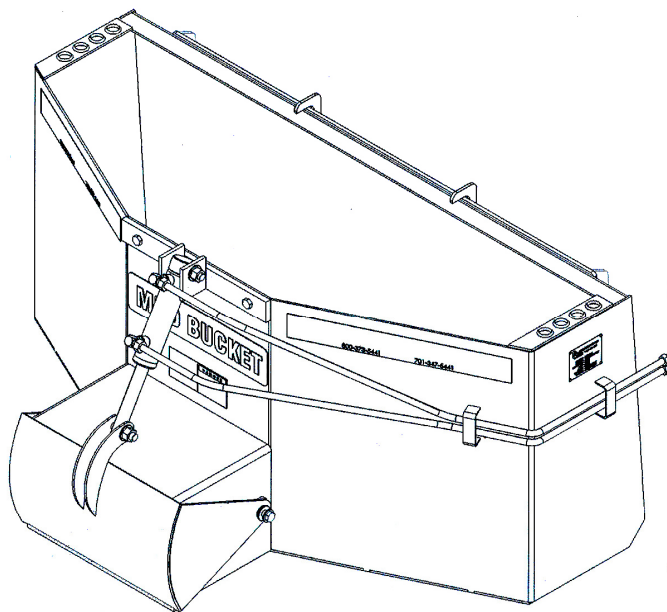
SPECIFICATIONS

1. Shipping weight: 290 Lbs.
2. Capacity: .5 Yard



MUD BUCKET[®] MOUNTING INSTRUCTIONS

1. Your Mud Bucket is designed to mount to your machine using existing attachment mounting system. Please refer to the machine owner's manual for instructions on how to secure your Mud Bucket to your machine
2. Hydraulic connections: Your Mud Bucket will come complete with hydraulic cylinder and hoses as shown below. Hydraulic couplings vary between manufacturers; therefore your Mud Bucket does not come with couplings. The hose ends of your Mud Bucket are fitted with ½" male NPT fittings (see Fig. 1). Correct male and female couplings can be purchased from your local equipment dealer. Consult your machine owner's manual for auxiliary hydraulic operation



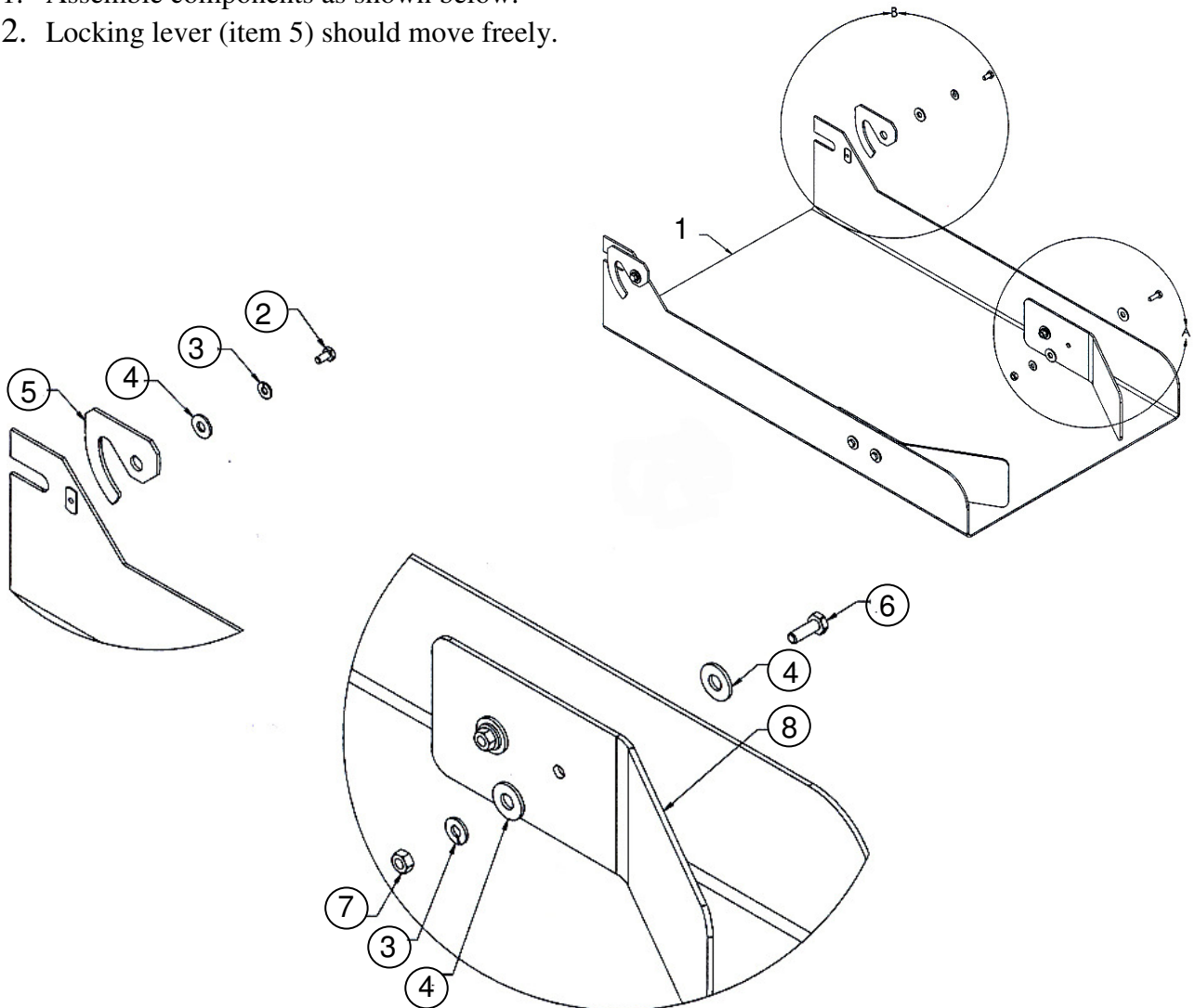
½" NPT Fittings

Figure 1

Extension Chute Assembly Instructions

ITEM	QTY.	PART NUMBER	DESCRIPTION
1	1	68-P1-132	Chute Weldment
2	2	PD0130-.5BP	Screw, .25-20UNC x .25 Gr. 5
3	4	PJ0130-3.2	Washer, Lock 1/4"
4	6	PJ0140-1BP	Washer, Flat 5/16"
5	2	68-P1-133	Locking Lever
6	2	PD0130-.75BP	Screw, .25-20UNC x .75 Gr. 5
7	2	PH0130-1BP	Nut, .25-20UNC Gr. 5
8	1	68-P1-138	Restrictor

1. Assemble components as shown below.
2. Locking lever (item 5) should move freely.



Extension Chute Installation

1. Assemble extension chute per instructions.
2. Mud Buckets with serial numbers prior to M0044 may need to have longer bolt, weld nut and washers (included with kit) installed where door pivots (see fig A).
3. Slide extension chute on to door pivot and lock into place (see fig. B)

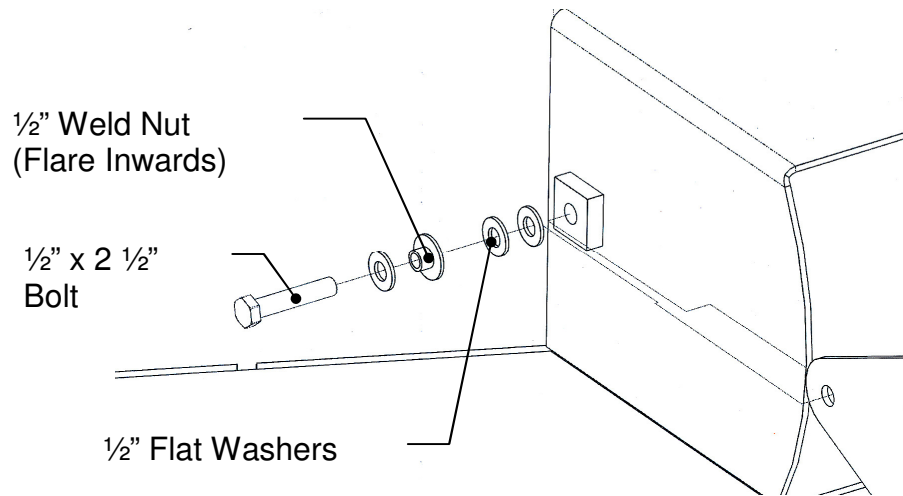


Figure AA

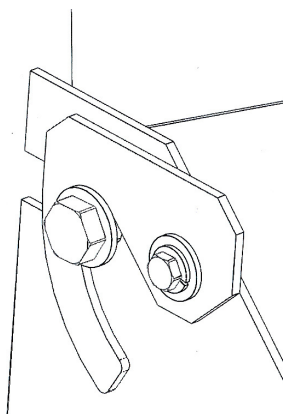
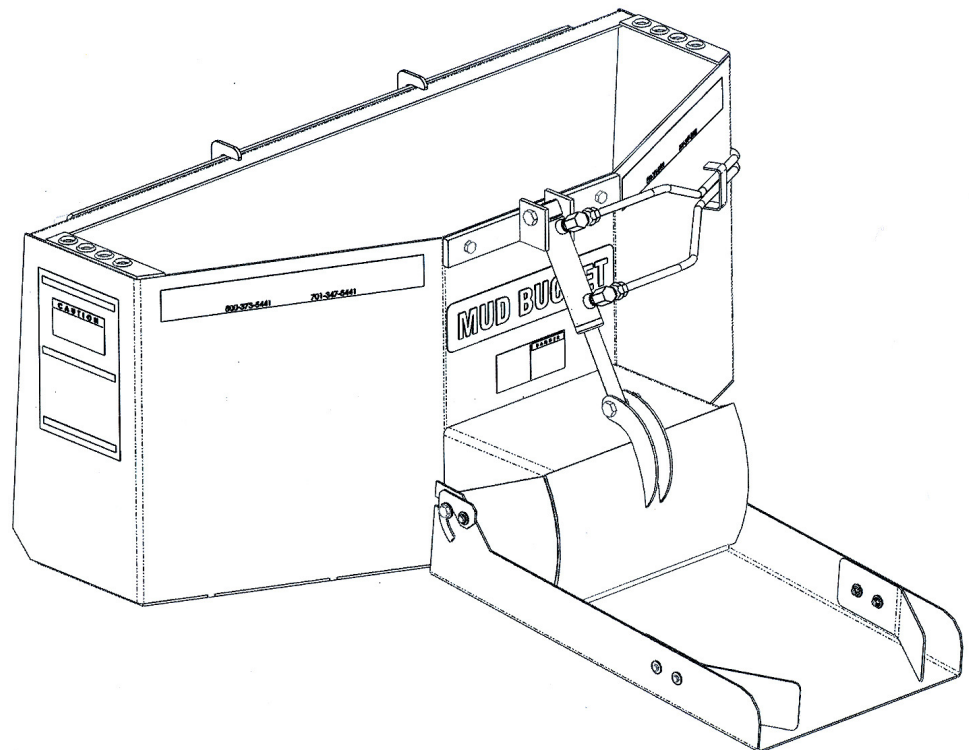


Figure B





Loeering
 15514 37th Street SE
 Casselton, ND 58012 USA
 Ph: 800-373-5441
 Fax: 701-347-4323

Item	Fig.	Part Number	Description
1	A,B	65-P2-145	1/2" Hyd. Hose, 1/2" MNPT ends 84"
2	A	68- P1-140A	Door, Center Mount (Ser # M0044 and higher)
3	B	68-A1-101	Cylinder Support Bracket (Ser # M0004 - M0043)
4	A	68-A1-101A	Cylinder Support Bracket (Ser # M0044 and higher)
5	B	68-A1-102	Tie Rod
6	C	68-P1-132	Extension Chute Weldment
7	C	68-P1-133	Lock
8	C	68-P1-138	Restrictor
9	B	68-P1-140	Door Assy side mount (Ser # M0004 - M0043)
11	B	85-P2-146	8 FNPT-8MORB (Ser. # M0004 - M0043)
12	B	85-P2-147	1/2 NPT Swivel 1/16" Restrictor (Ser. # M0004 -M0043)
13	B	85-P2-148	3/8 MNPT-1/2 FNPT (Ser# M0004 - M0043)
14	B	85-P2-149	1/2 NPT 1/16" Restrictor (Ser# M0004 - M0043)
15	B	85-P2-152	Pin, Cylinder 1" x 3.375"
16	B	85-P2-160	Cylinder, Hyd
17	A	85-P2-299	Fitting, #6 Male ORB 90° 1/2FPT Swivel, 1/16" Restrictor
18	A	85-P2-300	Fitting, #6 Male ORB 90° 1/2FPT Swivel,
19	A,B	85-P2-304	Shoulder, Weldnut, 1/2-13UNC
20	A	LSB169	Cyl., 1.5" Dia. X 4" Stroke HCA
21	C	PD0130-.5BP	Screw, .25-20UNC-.25 HHCS Gr. 5
22	C	PD0130-.75BP	Screw, .25-20UNC-.75 HHCS Gr. 5
23	A,B	PD0170-1.25CP	Bolt, .5-13UNC-1.25" Gr.8
24	A,B	PD0170-2.5CP	Bolt, .5-13UNC-2.5" Gr.8
25	B	PD0170-2BP	Bolt, .5-13UNC-2" Gr.8
26	A	PD0190-2.5CP	Bolt, 5/8-11UNC-2.5" Gr.8
27	A	PD0190-3.5CP	Bolt, 5/8" -11UNC-3.5" Gr.8
28	C	PH0130-1BP	Nut, .25-20UNC Gr.5 Plated
29	A,B	PH0170-4CP	Nut lock .5-13UNC Gr. 8
30	B	PH0171-5CP	Nut, Jam, 1/2-20NF, Gr. 8 (for tie rod end)
31	A	PH0190-1CP	Nut , 5/8-11UNC Gr.8
32	C	PJ0130-3.2	Washer, Lock .25"
33	C	PJ0140-1BP	Washer, Flat, 5/16"
34	A,B	PJ0170-1B	Washer, Flat .5"
35	A	PJ0190-3.2BP	Washer, Lock 5/8"
	D	68-P1-140K	Door Conversion Kit.(Includes Items: 2, 4, 17, 18, 20, 26, 27, 31, 35)
	C	68-A1-103	Extension Chute Kit

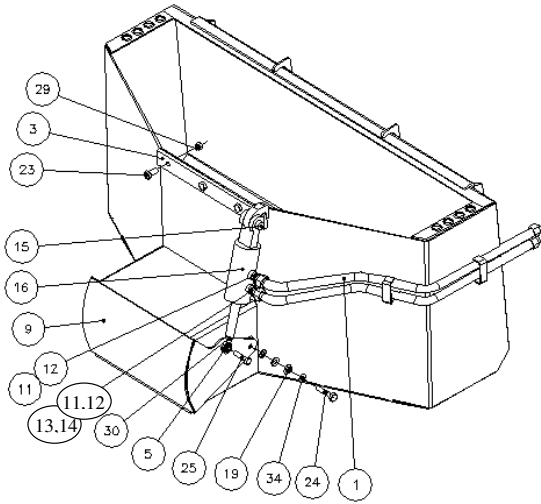


FIG. B

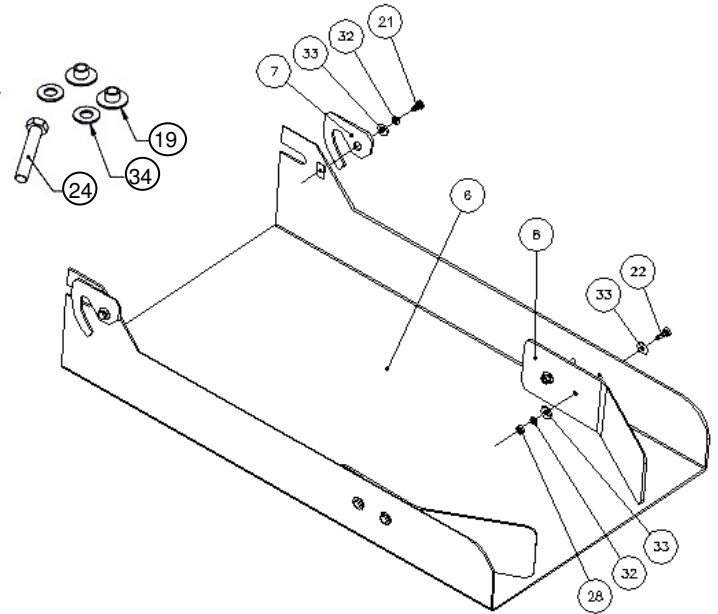


FIG. C

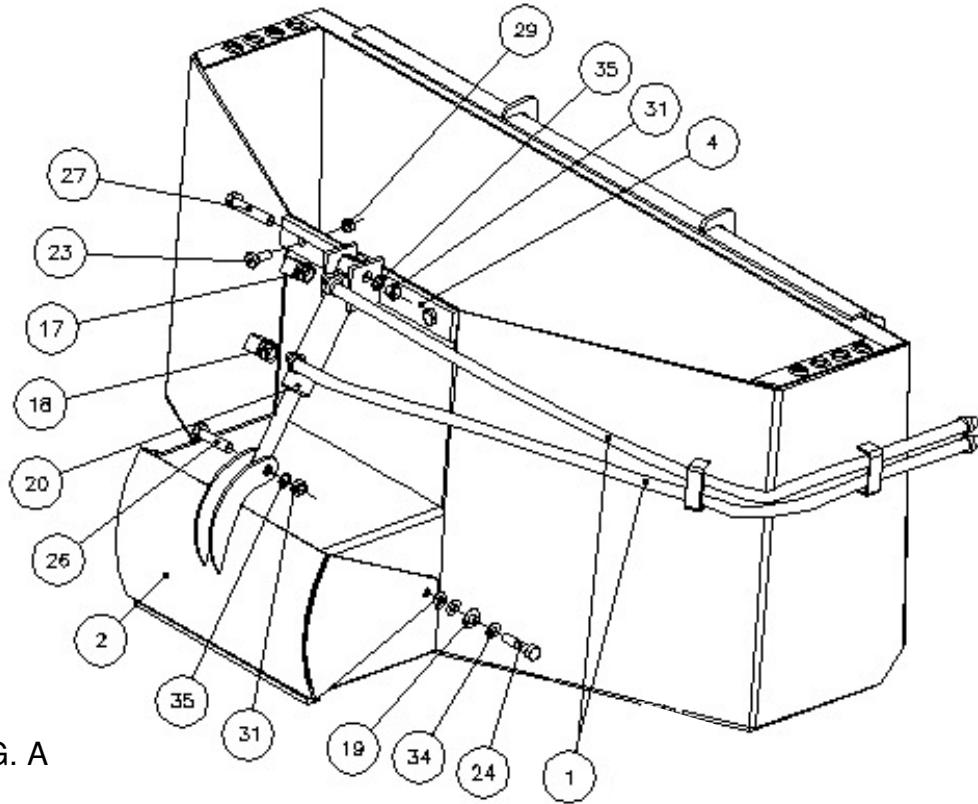


FIG. A

CENTER CYLINDER DOOR CONVERSION KIT

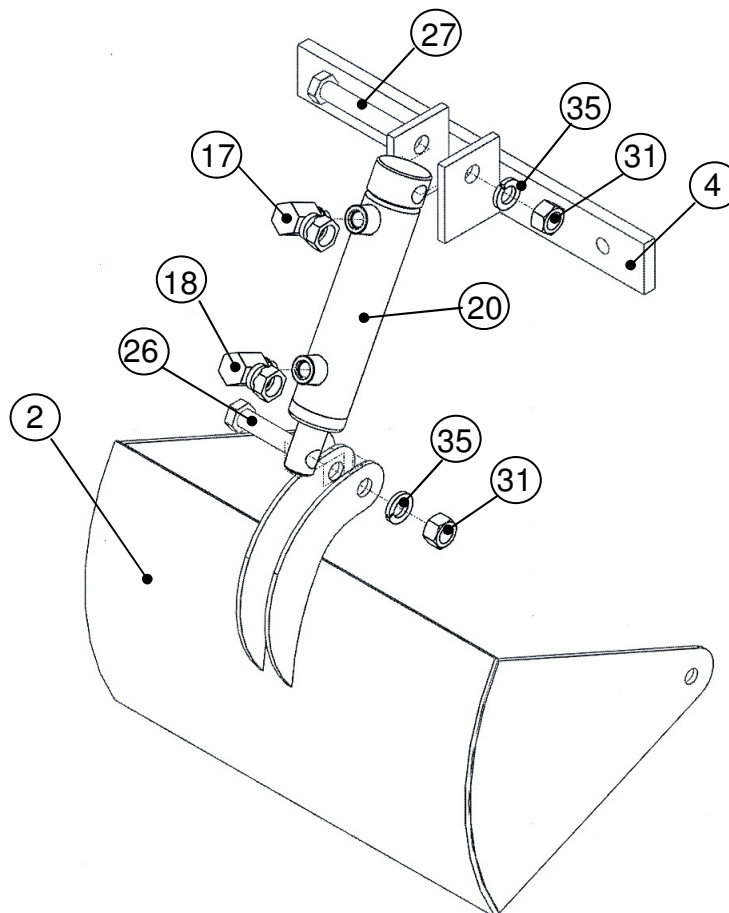
Part Number 68-P1-140K

Models with serial number M0004 to M0043

Converts side cylinder mount Mud Buckets to a center mount cylinder.

ITEM	QTY	PART #	DESCRIPTION
2	1	68-P1-140A	Door Assembly Center Mount
4	1	68-A1-101A	Cylinder Support Bracket
17	1	85-P2-299	Fitting, #6 Male ORB 90° ½FPT Swivel, 1/16" Restrictor
18	1	85-P2-300	Fitting, #6 Male ORB 90° ½FPT Swivel
20	1	LSB169	Cyl., 1.5" Dia. X 4" Stroke HCA
26	1	PD0190-2.35CP	Bolt, 5/8-11UNC-2.5" Gr.8
27	1	PD0190-3.5CP	Bolt, 5/8" -11UNC-3.5" Gr.8
31	2	PH0190-1CP	Nut , 5/8-11UNC Gr.8
35	2	PJ0190-3.2BP	Washer, Lock 5/8"

Note: To upgrade from a manual door to a hydraulic, add (2 ea.) hydraulic hose 65-P2-145





LoeGERING Manufacturing Inc.

STANDARD LIMITED NEW PRODUCT WARRANTY

LoeGERING Manufacturing Inc., hereafter referred to as LoeGERING, warrants the new Products manufactured or sold by it, to be free, under normal use and service, of any defects in manufacture or materials for twelve (12) months in the case of its attachments, 12 months or 1000 hours, whichever comes first, on a prorated basis, in the case of its tracks, or 90 days, in the case of refurbished attachments from (a) delivery to, and placement into service by the first user (including as a demonstrator or rental unit) or (b) delivery to the first retail purchaser, whichever occurs first; provided that LoeGERING receives written notice of the defect within thirty (30) days of its discovery and Buyer establishes that (i) the equipment has been maintained and operated within the limits of rated and normal usage; and (ii) the defect did not result in any manner from the intentional or negligent action or inaction by Buyer, its agents or employees. Buyer must, at Buyer's expense, return the defective equipment and parts to the authorized LoeGERING Dealer from whom the equipment and or parts were purchased, and if Buyer cannot establish that conditions (i) and (ii) above have been met, then this warranty shall not cover the alleged defect. The term "Products" shall include only the following equipment manufactured by LoeGERING:

VTS

Steel Track

Eliminator

Mud Bucket

No claim under the Warranty will be reimbursed without proper Warranty registration documentation on file.

The obligation and liability of LoeGERING under this warranty is expressly limited to, at LoeGERING's sole option, repairing or replacing with, or in the case of its tracks providing a prorated allowance for, new or remanufactured parts or components, any part, which appears, upon inspection by LoeGERING, to have been defective in manufacture or materials. Such parts shall be provided at no cost to the owner, from the Dealer from which the parts were purchased. This warranty shall be null and void if parts (including wear parts) other than genuine OEM LoeGERING parts are used in the equipment or repairs or replacements are performed by a party other than the authorized Dealer. No warranty shall cover any item on which serial numbers have been altered, defaced or removed.

Accessories, attachments, assemblies and components included in the equipment sold by LoeGERING, which are not manufactured by LoeGERING, are subject to the warranty of their respective manufacturers. Normal maintenance, adjustments, or maintenance/wear parts are not covered by this warranty and are the sole maintenance responsibility of Buyer.

No employee or representative is authorized to modify this warranty unless such modification is made in writing and signed by an authorized officer of LoeGERING sought to be bound by such modification. The obligations of LoeGERING under this warranty shall not include duty, taxes, environmental fees, including without limitation disposal or handling of rubber tracks, or any other charges whatsoever, or any liability for indirect, incidental, or consequential damages. Improper maintenance, improper use, abuse, improper storage, operation beyond rated capacity, operation after discovery of defective or worn parts, or alteration or repair of the equipment by persons not authorized by LoeGERING which sold such equipment shall render this warranty null and void.

LoeGERING reserves the right to inspect the installation of its Products and review maintenance procedures to determine if the failure was due to improper maintenance, improper use, abuse, improper storage, operation beyond rated capacity, operation after discovery of defective or worn parts, or alteration, modification or repair of the equipment by persons not authorized by LoeGERING. LoeGERING reserves the right to make improvements or changes to its Products without incurring any obligation to make such changes or modifications to Products previously sold.

Parts Warranty: LoeGERING warrants its Dealer-install OEM replacement parts to be free of defect in manufacture or materials for a period of ninety (90) days from date of end user purchase. Parts fitted by the authorized Dealer during an equipment warranty repair will take on the remaining equipment warranty. LoeGERING warrants its Dealer-installed OEM replacement tracks to be free of defect in manufacture or materials for a period of one (1) year from the date of end user purchase. Reimbursement for any replacement tracks which are subject to this warranty shall be prorated on a monthly basis, from the date of purchase.

TRANSFERABILITY OF WARRANTY: The unexpired portion of this warranty may be transferred, provided that (i) the warranty has not been voided or breached by the transfer or prior to transfer, (ii) LoeGERING has received warranty registration for the relevant Product and (iii) the transferee completes and returns to the LoeGERING the appropriate warranty transfer documentation which shall be provided on request. Contact your local Dealer for additional details.

DURATION OF WARRANTY: LoeGERING's product warranties will activate two (2) years from the date of invoice regardless of use, and will expire three (3) years from the date of invoice regardless of hours of use.

THIS WARRANTY IS EXPRESSLY IN LIEU OF AND EXCLUDES ALL OTHER WARRANTIES, EXPRESS OR IMPLIED (INCLUDING THE WARRANTIES OF MERCHANTABILITY AND FITNESS FOR A PARTICULAR PURPOSE) AND ALL OTHER OBLIGATIONS OR LIABILITY ON THE PART OF LOEGERING. THERE ARE NO WARRANTIES THAT EXTEND BEYOND THE LIMITED WARRANTY CONTAINED HEREIN.

ITEMS NOT COVERED BY THIS WARRANTY

The following items are NOT covered under this Warranty (the following list is not exhaustive):

- 1. Non-Distributor Sales:** Items sold by any individual, corporation, partnership, auction entity or any other organization or legal entity that is not an authorized Dealer.
 - 2. Non-LoeGERING Components:** Components which are not manufactured by LoeGERING are not covered by this warranty. Such components are covered only by the warranty that is provided by their manufacturer. Such components include, but are not limited to, attachments, track, rolling components. LoeGERING does not warrant that any attachments or other products not manufactured by LoeGERING will function properly or will not cause damage when used on its Product.
 - 3. Replacement of assemblies:** LoeGERING has the option to repair or replace any defective part or assembly. It is the policy of LoeGERING to refuse claims for the replacement of a complete assembly that is field repairable by the replacement or repair of defective part(s) within the assembly.
 - 4. Normal Operational Maintenance Services and Wear Parts:** Maintenance services and wear parts are excluded from warranty claims. Maintenance services not covered include, but are not limited to, such items as: lubrication, cleaning, equipment inspection or adjustment, or the replacement of any service items made in connection with normal maintenance services.
 - 5. Transportation:** Any damage caused by carrier handling is a transportation claim and should be filed immediately with the respective carrier.
 - 6. Deterioration:** Repairs, work required or parts exposed as the result of age, storage, weathering, lack of use, demonstration use, or for transportation of corrosive chemicals.
 - 7. Secondary Failures:** Should the Buyer continue to operate a machine after it has been noted that a failure has occurred, LoeGERING will not be responsible under the warranty for resultant damage to other parts due to that continued operation.
 - 8. Workmanship of Others:** LoeGERING does not accept responsibility for improper installation or labor costs.
 - 9. Stop and Go Warranty:** LoeGERING does not recognize "Stop and Go" warranties; after the period of warranty commences, it shall not be tolled for any reason. No action by either party shall operate to extend or revive this limited warranty without the prior written consent of Seller
 - 10. Incidental or Consequential Damage:** LOEGERING SHALL NOT BE LIABLE FOR ANY INCIDENTAL OR CONSEQUENTIAL DAMAGES OF ANY KIND, INCLUDING, BUT NOT LIMITED TO, LOST PROFITS, LOSS OF PRODUCTION, INCREASED OVERHEAD, LOSS OF BUSINESS OPPORTUNITY, DELAYS IN PRODUCTION, COSTS OF REPLACEMENT COMPONENTS AND INCREASED COSTS OF OPERATION THAT MAY ARISE FROM THE BREACH OF THIS WARRANTY, WHETHER OR NOT CAUSED DIRECTLY OR INDIRECTLY BY ANY NEGLIGENCE OF LOEGERING. Customer's sole remedy shall be limited to (at the sole option of LoeGERING) repair or replacement of the defective part.
 - 11. Diagnostic Labor:** LoeGERING shall not be responsible for diagnostic labor, travel mileage, travel labor or related travel expenses (such as meals and lodging); overtime or premium labor rates.
 - 12. Customer Responsibilities:** LoeGERING shall not be responsible for loaner machines, rental, downtime, transportation or inconvenience costs directly or indirectly resulting from the failure of its Products or parts.
- LoeGERING neither assumes nor authorizes any other person to assume for LoeGERING any other liability in connection with the sale of any LoeGERING equipment. This warranty shall not apply to any LoeGERING equipment or any part thereof which has been subject to misuse, alteration, abuse, negligence, accident, acts of God or sabotage. No action by any party shall operate to extend or revive this limited warranty without the prior written consent of LoeGERING sought to be bound by such extension or revivification. The aggregate liability of LoeGERING shall in no event exceed the purchase price of the equipment.

IN THE EVENT OF ANY BREACH OF THIS WARRANTY BY LOEGERING, THE AGGREGATE LIABILITY OF LOEGERING, SHALL BE LIMITED EXCLUSIVELY TO THE REMEDIES (AT THE SOLE OPTION OF LOEGERING) OF REPAIR OR REPLACEMENT OF ANY DEFECTIVE EQUIPMENT COVERED BY THE WARRANTY. IN NO EVENT SHALL LOEGERING, OR ANY AFFILIATE OR PARENT OF LOEGERING BE LIABLE FOR INCIDENTAL, INDIRECT, CONSEQUENTIAL OR OTHER DAMAGES OR LOSSES RESULTING FROM A BREACH OF WARRANTY INCLUDING, WITHOUT LIMITATION, LABOR COSTS, LOSS OF USE OF OTHER EQUIPMENT, THIRD PARTY REPAIRS, IMPROPER PERFORMANCE OR WORK, PENALTIES OF ANY KIND, LOSS OF SERVICE OF PERSONNEL, OR FAILURE OF EQUIPMENT TO COMPLY WITH ANY FEDERAL, STATE OR LOCAL LAW



Loeering
 15514 37th Street SE
 Casselton, ND 58012 USA
 Ph: 800-373-5441
 Fax: 701-347-4323

Warranty Registration Form

Please complete and return to Loeering to validate warranty.

Purchase Date:		Form Completion Date:	
Order #:			
Dealer Name:			
Contact Name:			
Address:			
City:		State:	Zip:
Phone Number:			
Fax Number:		Email Address:	
User Name:			
Contact Name:			
Address:			
City:		State:	Zip:
Phone Number:			
Fax Number:		Email Address:	
Part Number	Description	Serial Number	Model
Was there evidence of damage upon receipt?		Yes	No
If yes, explain:			
Tell us about the equipment you plan to use your new attachment on.			
Manufacturer:		Model:	Tire Size (tracks only):
Serial Number:			
* Hours of use on machine prior to installation of attachment: _____ Hours.			
* Hour information is very important to warranty resolution. Warranty may not be valid without completion of this section.			
Application description:			